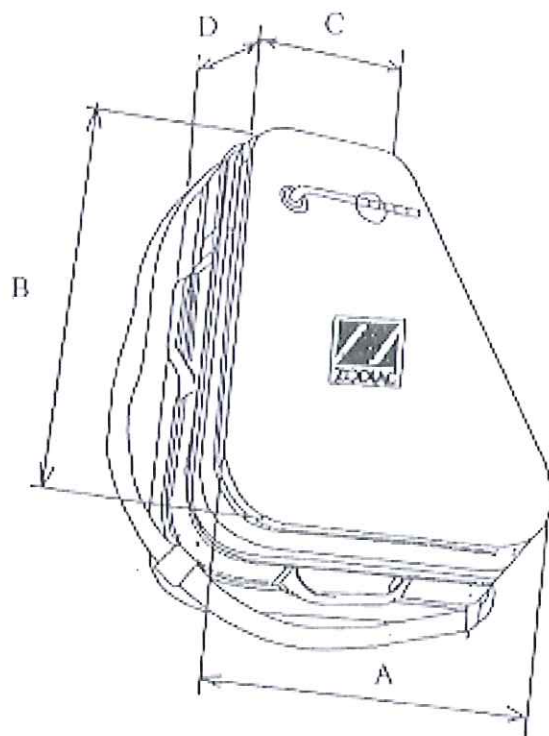


# WATERTIGHT BOW STORAGE BAG FOR INFLATABLE CRAFT



	INSIDE *	OUTSIDE *
A	540 mm ( 21" 1/4 )	550 mm (21" 5/8 )
B	640 mm ( 25" 1/4)	650 mm (25" 1/2)
C	230 mm (9")	240 mm (9" 1/2)
D	205 mm (8")	215 mm (8" 1/2)

## CHARACTERISTIC:

MAXIMUM CARRYING CAPACITY :

50 Lbs / 22,6 Kg

WEIGHT EMPTY :

7 Lbs / 3,17 Kg (+/- 7%)

PRESSURE RANGE:

UP TO 40 Mbars /0.05 PSI

## DESCRIPTION:

The storage bag is specially designed to be secured inside the bow of an F-470 CRRC NSN 1940-01-262-3993 by it's 4 nylon securing straps. It may also fit other inflatables equipped with D-rings and may also be secured in other types of craft. The bag access cover is fitted with an airtight zipper and an oral inflation/deflation device. By rotating this corrosion resistant valve, it is possible to adjust the negative or positive buoyancy of the bag by deflating or inflating it. Four strong carrying handles allow the handling of this bag with it's full 50 lbs content. Handles are an integral part of a belt that goes around the whole bag, so as to distribute the load evenly. An adjustable rucksack type shoulder strap makes the bag comfortable in a back pack mode, when laced through the top carrying handle and the two bottom strap loops.

\*tolerances: +/- 1/2" (+/- 12,7mm)

issue sept 94

# STORAGE BAG PN 3401



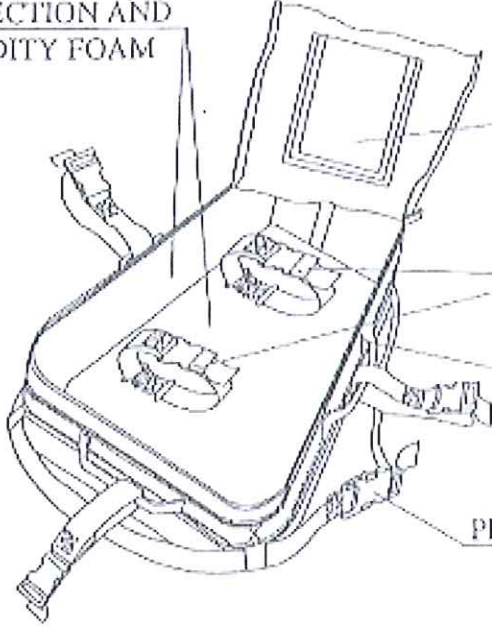
PROTECTION AND  
RIGIDITY FOAM

CLEAR POCKET

INSIDE HOLDER STRAPS

CARRYING HANDLES (4)

PERIPHERIC RUCKSACK STRAP  
(Removable)



BAG SERIAL NUMBER  
UNDER FLAP

4 NYLON STRAPS REMOVABLE

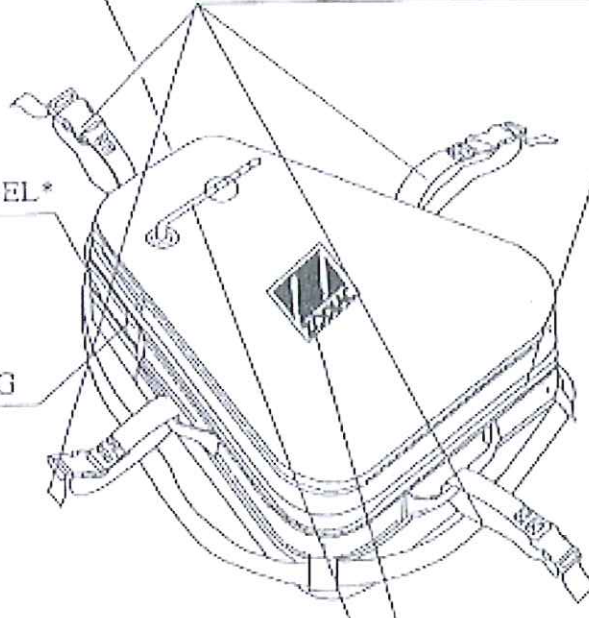
FLAP COVERING  
AIR TIGHT ZIPPER

WARNING LABEL\*

BAG SEALING  
GROMMET

ORAL INFLATOR/DEFLATOR  
TUBE

ZODIAC BLACK LOGO



\* DO NOT ACCEPT BAG IF SEAL IS BROKEN  
BROKEN SEAL REQUIRES INVENTORY AND RESEALING IN ACCORDANCE WITH TECHNICAL INSTRUCTIONS  
DO NOT BREAK SEAL EXCEPT IN EMERGENCY