

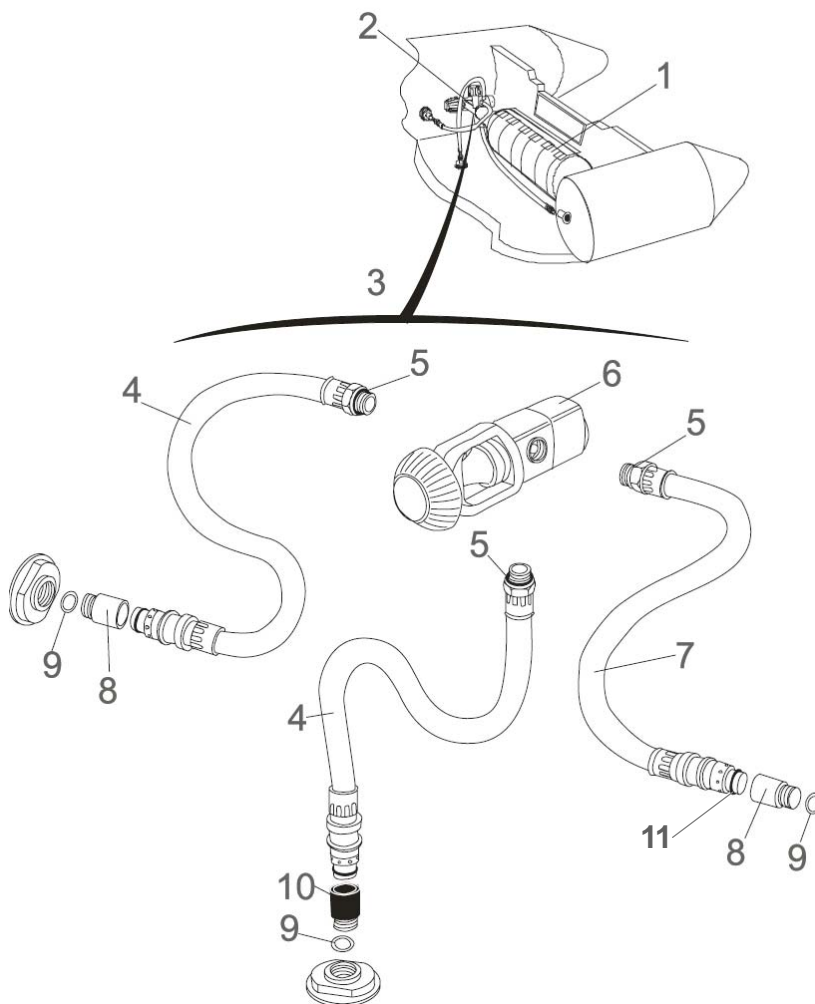


INFLATION SETS (AIR OR CO₂)

Rev 2 – 16 June 08
TECHNICAL DATA SHEET

The Fast inflation sets are of great help for urgent operations necessitating immediate inflation. The air compressed or CO₂ is stored in an ordinary diving cylinder or in a CO₂ cylinder and released into the tube thanks to a simple hose system.

Fast inflation set – Compressed air



The hose system can link up the air compressed cylinder to both portside and starboard side tubes and eventually to the floor, if the boat has an inflatable HPP floor.

Each hose is equipped with a quick release system allowing a fast connection or disconnection.

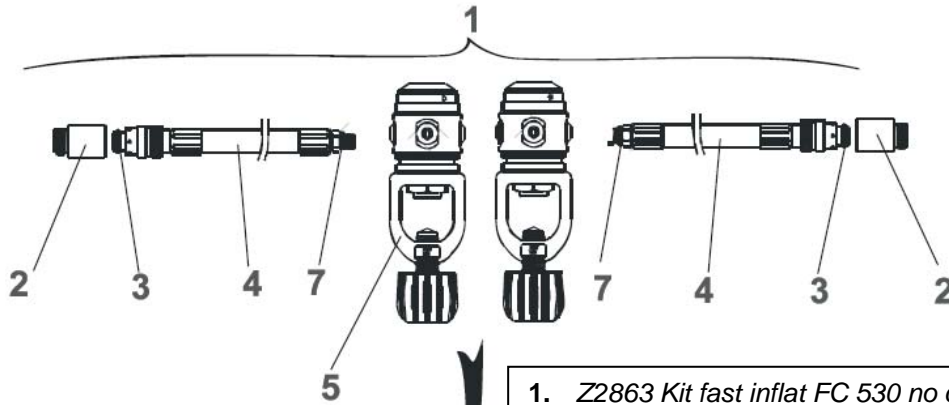
There are different layouts depending on boat type.

THIS MATERIAL CONTAINS PROPRIETARY DATA BELONGING TO ZODIAC INTERNATIONAL. UNAUTHORIZED DISCLOSURE, USE OR REPRODUCTION WILL RESULT IN LIABILITY. ZODIAC RESERVES THE RIGHT TO CHANGE THE SPECIFICATIONS OF THIS TECHNICAL DATA SHEET WITHOUT NOTICE.

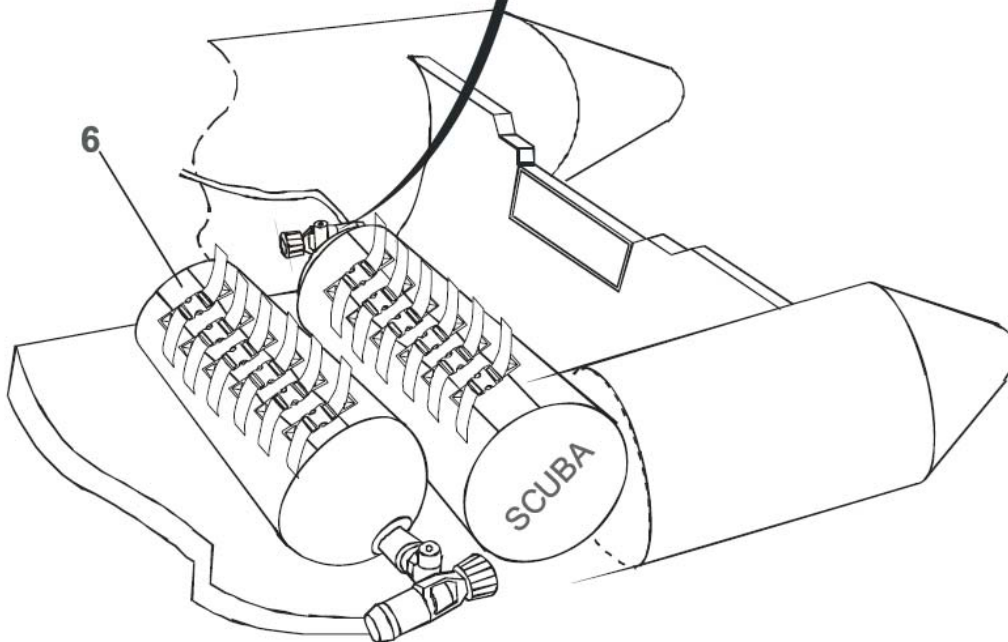
Dimensions and weight + or - 3 % (5% on prototype)

page 1 / 7

FC 530



1. Z2863 Kit fast inflat FC 530 no cylinder
2. Z3580 Quick connector main tube
3. Z65107 O ring quick connect hose
4. Z3570 Quick connect hose L : 640 mm
5. Z3597 Release mechanism 4 ways
6. Z3188 Scuba diving cylinder 15 L
7. Z65110 O ring connect hose/manifold



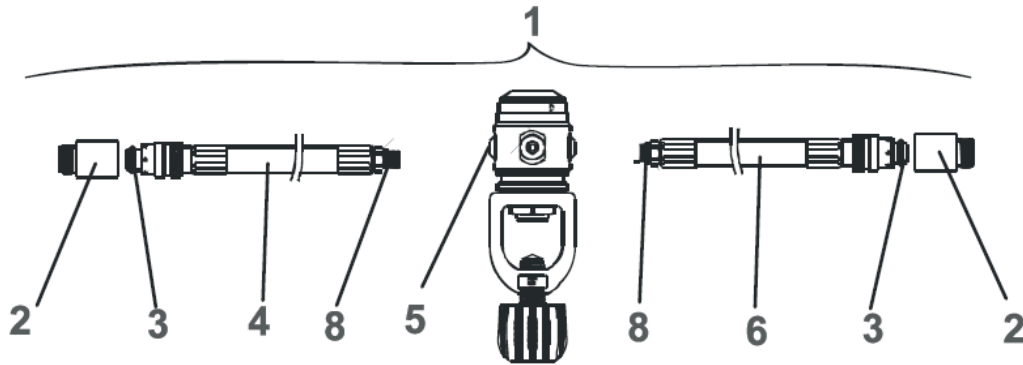
Considering the size of the FC 530, two cylinders are required

THIS MATERIAL CONTAINS PROPRIETARY DATA BELONGING TO ZODIAC INTERNATIONAL. UNAUTHORIZED DISCLOSURE, USE OR REPRODUCTION WILL RESULT IN LIABILITY. ZODIAC RESERVES THE RIGHT TO CHANGE THE SPECIFICATIONS OF THIS TECHNICAL DATA SHEET WITHOUT NOTICE.

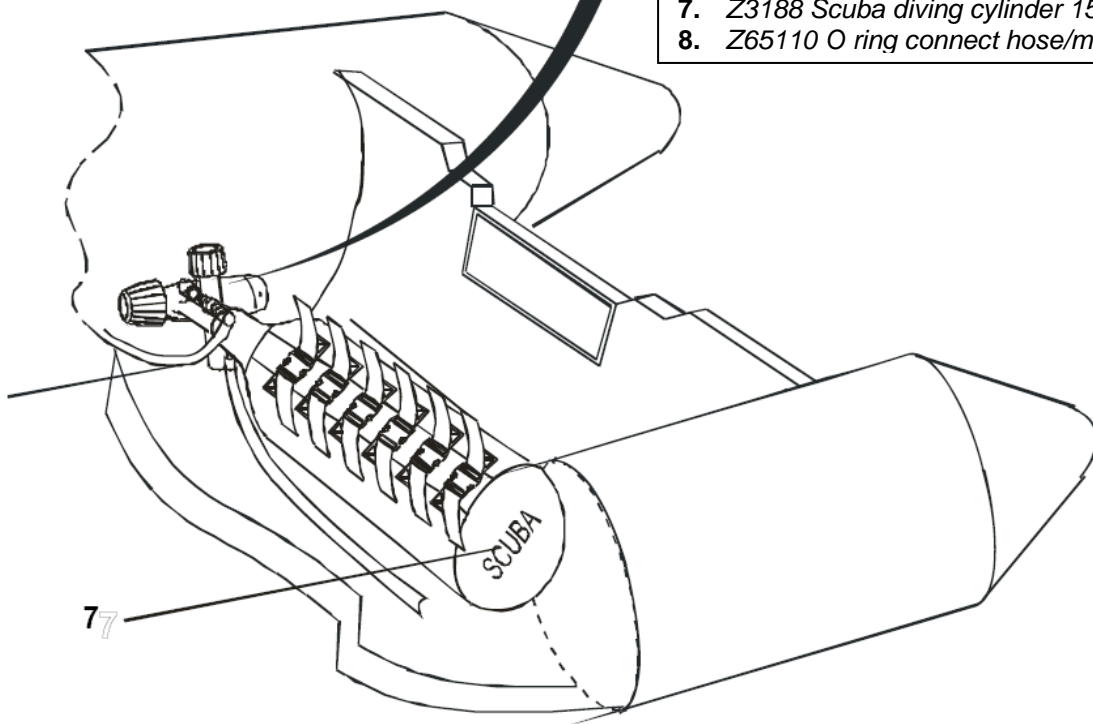
Dimensions and weight + or - 3 % (5% on prototype)

page 2 / 7

FC 420 - FC 470



1. Z2292 Kit fast inflation FC no cylinder
2. Z3580 Quick connector main tube
3. Z65107 O ring quick connect hose
4. Z3571 Quick connect hose L : 900 mm
5. Z3597 Release mechanism 4 ways
6. Z3570 Quick connect hose L : 640 mm
7. Z3188 Scuba diving cylinder 15L
8. Z65110 O ring connect hose/manifold

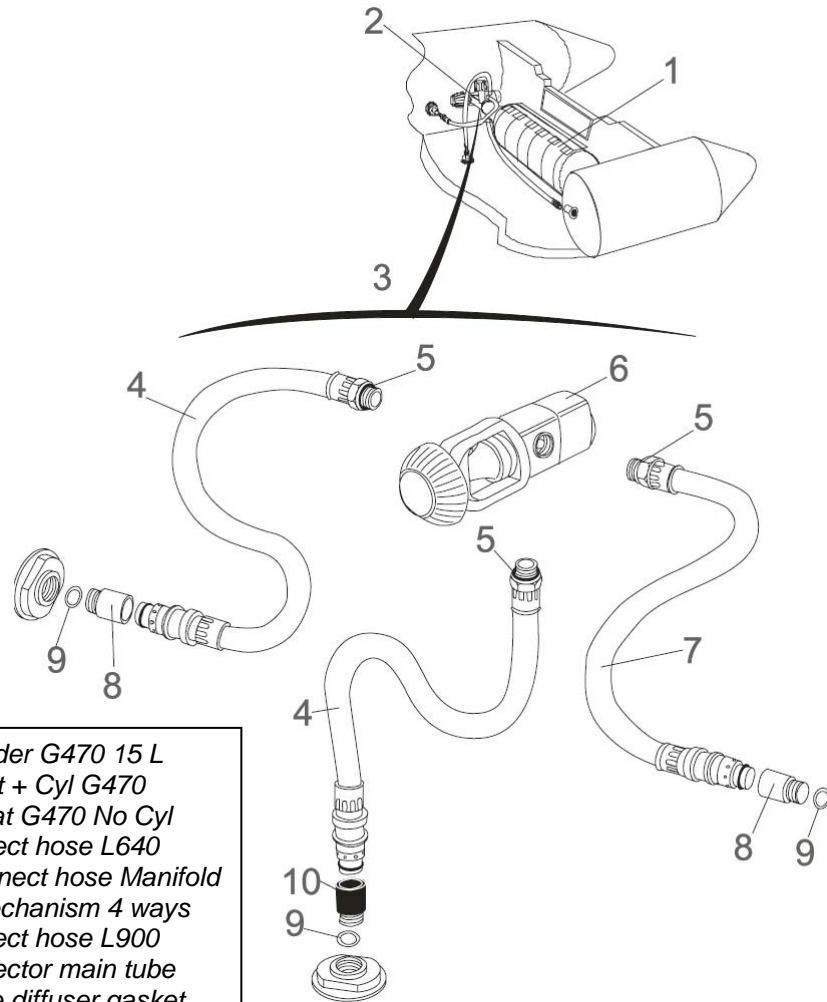


THIS MATERIAL CONTAINS PROPRIETARY DATA BELONGING TO ZODIAC INTERNATIONAL. UNAUTHORIZED DISCLOSURE, USE OR REPRODUCTION WILL RESULT IN LIABILITY. ZODIAC RESERVES THE RIGHT TO CHANGE THE SPECIFICATIONS OF THIS TECHNICAL DATA SHEET WITHOUT NOTICE.

Dimensions and weight + or - 3 % (5% on prototype)

page 3 / 7

G380 - G470 - First Responder



- | | |
|-----|-------------------------------------|
| 1. | Z3188 Diving cylinder G470 15 L |
| 2. | Z3491 Kit fast inflat + Cyl G470 |
| 3. | Z3490 Kit Fast inflat G470 No Cyl |
| 4. | Z3570 Quick connect hose L640 |
| 5. | Z65110 O ring connect hose Manifold |
| 6. | Z3597 Release mechanism 4 ways |
| 7. | Z3571 Quick connect hose L900 |
| 8. | Z3580 Quick connector main tube |
| 9. | Z2929 Scuba valve diffuser gasket |
| 10. | Z3581 Quick Connector Hpp Floor |
| 11. | Z65107 O Ring Quick Connect Hose |

The First responder has only two hoses linked up to the cylinder inflating the tube and the floor. The keel is inflated with a fast inflation bow hose including a quick release system.

THIS MATERIAL CONTAINS PROPRIETARY DATA BELONGING TO ZODIAC INTERNATIONAL. UNAUTHORIZED DISCLOSURE, USE OR REPRODUCTION WILL RESULT IN LIABILITY. ZODIAC RESERVES THE RIGHT TO CHANGE THE SPECIFICATIONS OF THIS TECHNICAL DATA SHEET WITHOUT NOTICE.

Dimensions and weight + or - 3 % (5% on prototype)

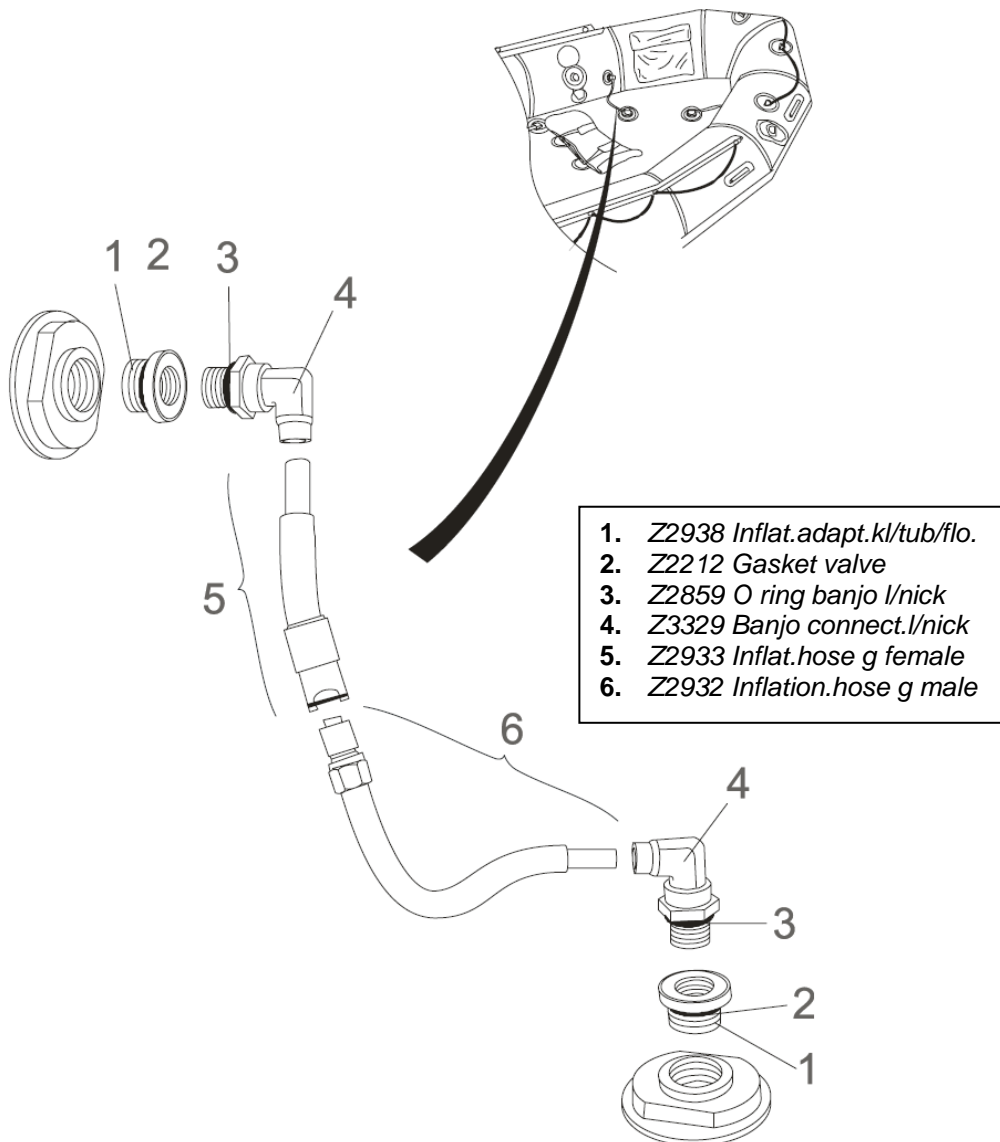
page 4 / 7



ZODIAC INTERNATIONAL

DIVISION MARINE

The keel auto-inflation kit allows automatic inflation of the keel, by connecting it to the main buoyancy tube on one side and to the keel valve base on the other, (as shown in the picture above). Once inflated, the inflation hose will be disconnected (quick disconnect, keel side), so as to isolate both compartments from each other and eliminate trip hazards. This kit comes with a spare valve base, so as to retrofit and up-grade older boats which are not yet equipped with this system.



THIS MATERIAL CONTAINS PROPRIETARY DATA BELONGING TO ZODIAC INTERNATIONAL. UNAUTHORIZED DISCLOSURE, USE OR REPRODUCTION WILL RESULT IN LIABILITY. ZODIAC RESERVES THE RIGHT TO CHANGE THE SPECIFICATIONS OF THIS TECHNICAL DATA SHEET WITHOUT NOTICE.

Dimensions and weight + or - 3 % (5% on prototype)

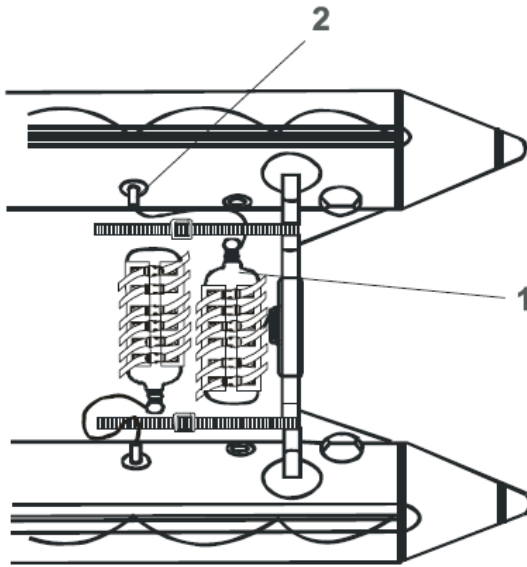
page 5 / 7

Fast inflation set - CO₂

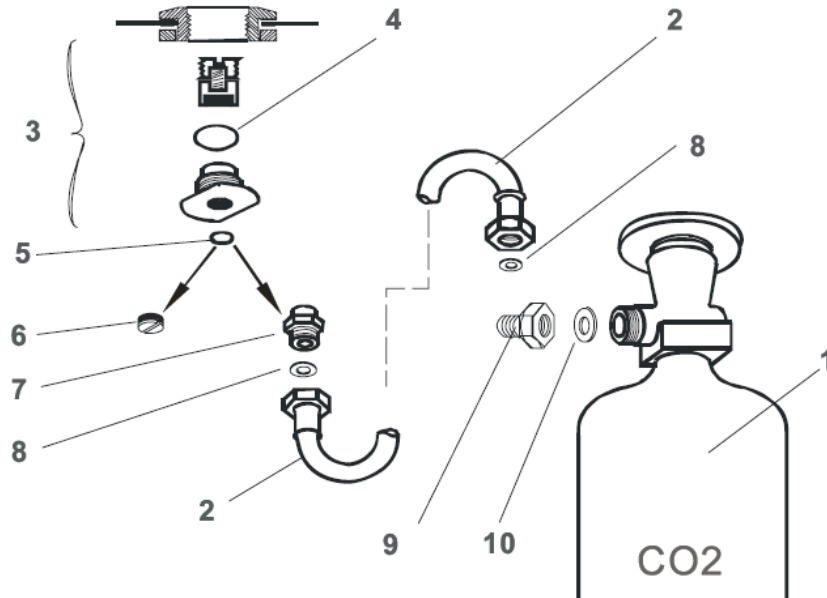
The CO₂ system is even quicker than the compressed air but CO₂ can turn out to be more complicate to use (especially refilling).

FC 530

(complete FC530 CO₂ inflation kit P/N : Z65168)



1. Z3367 CO2 Cylinder 8,9 L GR1C
2. Z2499 CO2 Inflation Hose, short, 24 1/2"
3. Z2936 CO2 Scuba Diffuser Valve
4. Z2212 O-ring (diffuser & LBT)
5. Z2929 O-ring, small, CO2 Scuba valve diffuser
6. Z3864 CO2 Diffuser Plug, plastic
7. Z3156 CO2 Diffuser Plug, brass
7. Z3468 CO2 Double-threaded Coupler
8. Z2508 CO2 Hose gasket
9. Z2532 Coupling CO2 cylinder F530
10. Z2867 CO2 Hose gasket 19x12x1,5



THIS MATERIAL CONTAINS PROPRIETARY DATA BELONGING TO ZODIAC INTERNATIONAL. UNAUTHORIZED DISCLOSURE, USE OR REPRODUCTION WILL RESULT IN LIABILITY. ZODIAC RESERVES THE RIGHT TO CHANGE THE SPECIFICATIONS OF THIS TECHNICAL DATA SHEET WITHOUT NOTICE.

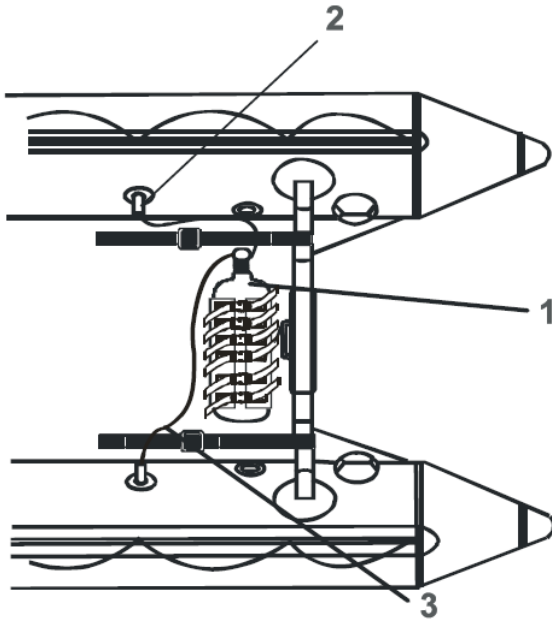
Dimensions and weight + or - 3 % (5% on prototype)

page 6 / 7

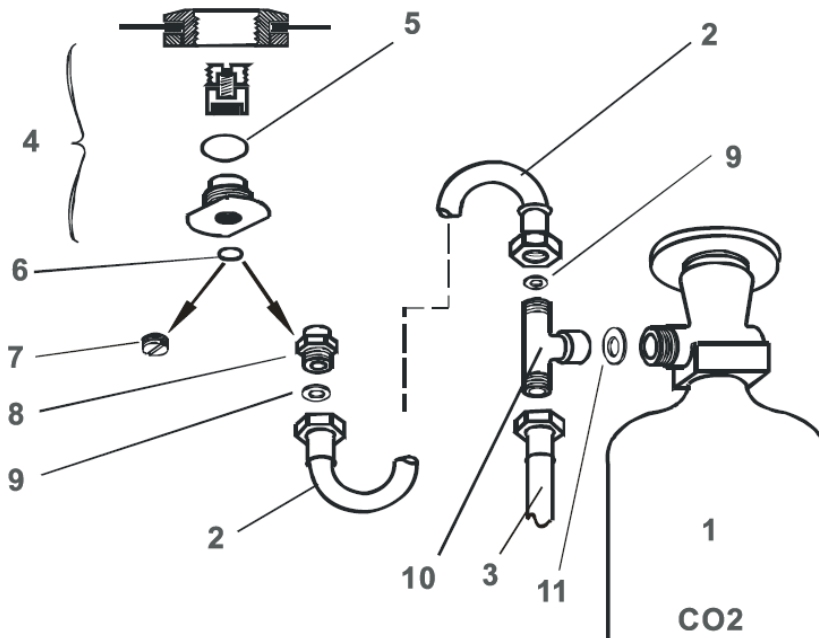
Fast inflation set - CO₂

FC 420 - FC 470

(complete FC420 – FC470 CO₂ inflation kit P/N : Z65167)



1. Z3367 CO₂ cylinder 8,9 L GR1C F470
2. Z2499 CO₂ Inflation Hose, short, 24 1/2"
3. Z3194 CO₂ Inflation Hose, long, 35"
4. Z2936 CO₂ Scuba Diffuser Valve
5. Z2212 O-ring (diffuser & LBT)
6. Z2929 O-ring, small, CO₂ Scuba valve diffuser
7. Z3156 CO₂ Diffuser plug, brass
8. Z3468 CO₂ Double-threaded Coupler
9. Z2508 CO₂ hose gasket 15x5x1,5
10. Z3870 Coupling CO₂ cylinder
11. Z2867 CO₂ hose gasket 19x12x1,5



THIS MATERIAL CONTAINS PROPRIETARY DATA BELONGING TO ZODIAC INTERNATIONAL. UNAUTHORIZED DISCLOSURE, USE OR REPRODUCTION WILL RESULT IN LIABILITY. ZODIAC RESERVES THE RIGHT TO CHANGE THE SPECIFICATIONS OF THIS TECHNICAL DATA SHEET WITHOUT NOTICE.

Dimensions and weight + or - 3 % (5% on prototype)

page 7 / 7