



ZODIAC INTERNATIONAL

DIVISION MARINE

PROFESSIONAL & MILITARY CRAFT JOCKEY SEATS AND BOLSTERS

Rev 2– Sept 03
TECHNICAL DATA SHEET

Reference Code	Weight (Kg)	fuel tank (L)	Colour	Deck inserts Screws & washers
Jockey seat 1 person Z1922	13	no	grey	Yes(6)
Jockey seat 2 person Z1057	30	no	grey	Yes (10)
Jockey seat 1 person w/ fuel tank Z66000	30 without fuel	43	grey	Yes(6)
Jockey seat 2 person w/ fuel tank Z1050	53 without fuel	93	grey	Yes (10)
Bolster Z66003	20	no	grey	Yes (10)
Bolster Z66010	20	no	grey	Yes (16)
Fwd handle for jockey seat Z1136	1			
Jockey seat, 3 man, tubular Z66006	31	no	black	Yes (8)

The jockey seats are specially designed for professional & military crafts that are subjected to intensive marine conditions.

They allow for inline or delta configuration depending on the size of the craft and offer comfortable seating, even for long trips in rough sea conditions.

The seats equipped with built in fuel tank provide sufficient range for different missions without reducing the inside area as is usual with portable fuel tanks.

The bolster Z66003 is suitable for stand up consoles whereas Z66010 fits lower ones as the Z66013. Standard colour for the jockey seats is grey, but different colours may be available on special demands.

The tubular 3 man jockey seat is best used with the steering box small (refer to consoles data sheet). This special design provides for a large storage area underneath the seat.

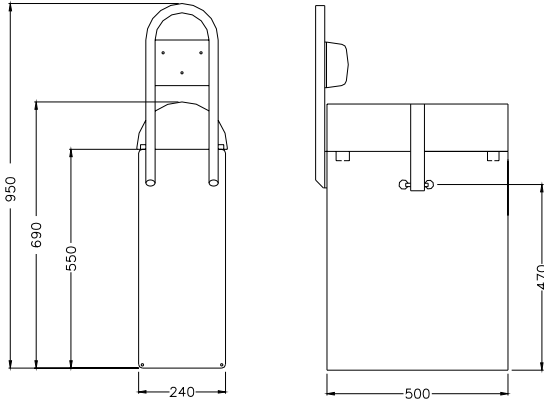
THIS MATERIAL CONTAINS PROPRIETARY DATA BELONGING TO ZODIAC INTERNATIONAL UNAUTHORIZED DISCLOSURE, USE OR REPRODUCTION WILL RESULT IN LIABILITY. ZODIAC RESERVES THE RIGHT TO CHANGE THE SPECIFICATIONS OF THIS TECHNICAL DATA SHEET WITHOUT NOTICE.

The overall appearances of the watercraft depicted in this document are trademarks of Zodiac

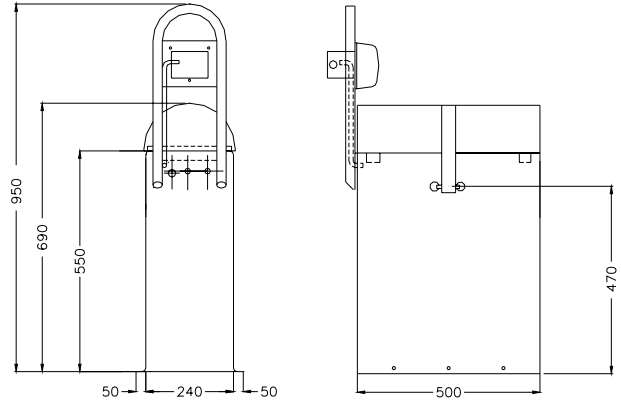


ZODIAC INTERNATIONAL

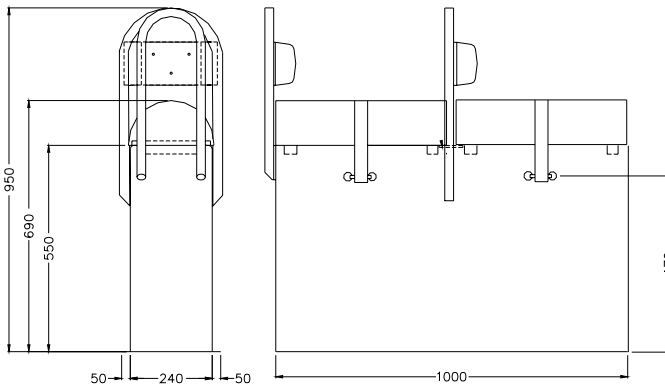
DIVISION MARINE



**Jockey seat 1pers
Z1922 SIEGE 1P SRMN**

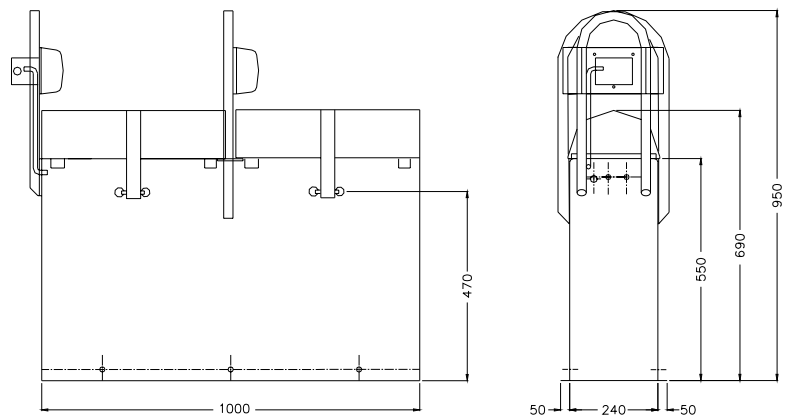


**Jockey seat 1pers w/ fuel tank
Z66000 SIEGE JOCKEY 1P+RES**



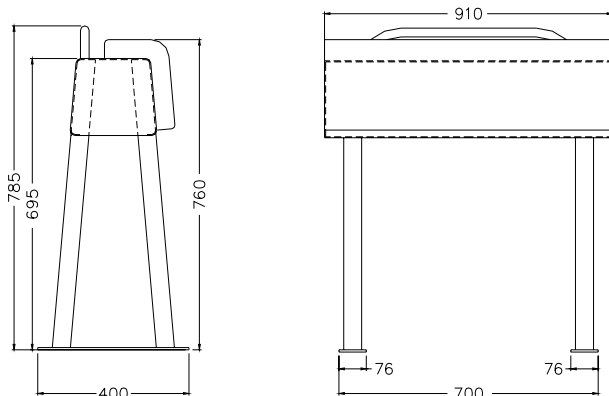
**Jockey seat 2pers
Z1057 SIEGE JOCKEY 2P SRMN GRIS**

**Jockey seat 2pers w/ fuel tank
Z1050 SIEGE JOCKEY 2P+RES**

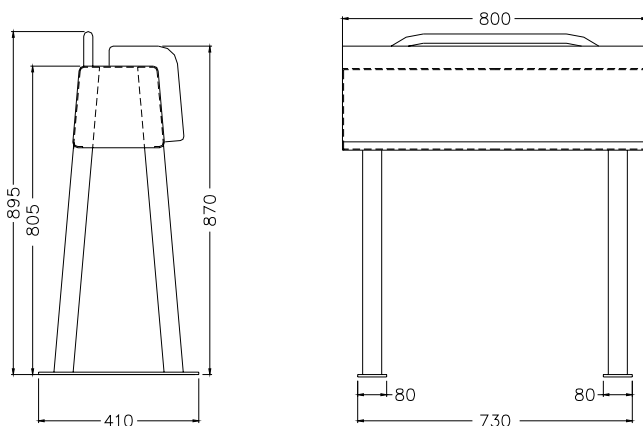


THIS MATERIAL CONTAINS PROPRIETARY DATA BELONGING TO ZODIAC INTERNATIONAL UNAUTHORIZED DISCLOSURE, USE OR REPRODUCTION WILL RESULT IN LIABILITY. ZODIAC RESERVES THE RIGHT TO CHANGE THE SPECIFICATIONS OF THIS TECHNICAL DATA SHEET WITHOUT NOTICE.

The overall appearances of the watercraft depicted in this document are trademarks of Zodiac



**Bolster , basic leaning, small
Z66010 BOLSTER PETIT ALU GRIS**



**Bolster , basic leaning
Z66003 BOLSTER 2PL ALU GRIS BASIC**

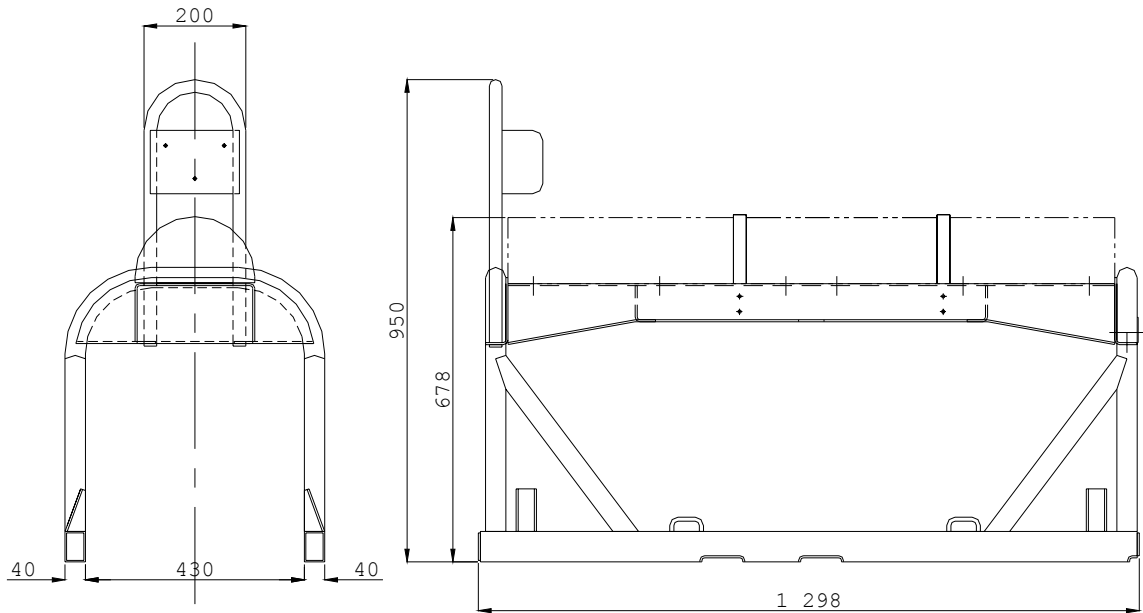
THIS MATERIAL CONTAINS PROPRIETARY DATA BELONGING TO ZODIAC INTERNATIONAL UNAUTHORIZED DISCLOSURE, USE OR REPRODUCTION WILL RESULT IN LIABILITY. ZODIAC RESERVES THE RIGHT TO CHANGE THE SPECIFICATIONS OF THIS TECHNICAL DATA SHEET WITHOUT NOTICE.

The overall appearances of the watercraft depicted in this document are trademarks of Zodiac



ZODIAC INTERNATIONAL

DIVISION MARINE



**Tubular jockey seat 3 man in line
Z66006 SIEGE JOCKEY TUBUL.3 HOM**

THIS MATERIAL CONTAINS PROPRIETARY DATA BELONGING TO ZODIAC INTERNATIONAL UNAUTHORIZED DISCLOSURE, USE OR REPRODUCTION WILL RESULT IN LIABILITY. ZODIAC RESERVES THE RIGHT TO CHANGE THE SPECIFICATIONS OF THIS TECHNICAL DATA SHEET WITHOUT NOTICE.

The overall appearances of the watercraft depicted in this document are trademarks of Zodiac