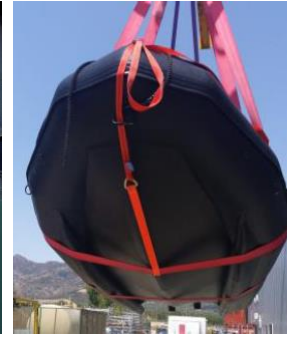


MILPRO™ HELISLING

HELICOPTER SLING TRANSPORT SYSTEM



LIGHT-SPEED DEPLOYMENT

Zodiac Milpro™ is the global leader in the manufacture of military and professional RIBs and inflatable boats.

Innovation at Zodiac Milpro™ is a continuous process. We continue to lead development of inflatable watercraft technologies, including : operational fabrics and assembly techniques, valves and fast inflation systems, robustness of the equipment, high pressure floors and revolutionary inflatable structures, etc.

Zodiac Milpro™ answers the needs of Special Forces worldwide by developing operational packages for our FC range combat crafts : Underwater caché, Helidrop, Airdrop, etc....

Zodiac Milpro™ adds a new innovating item to these capabilities and introduces the HELISLING, a Helicopter Sling transport system for inflatable boats.

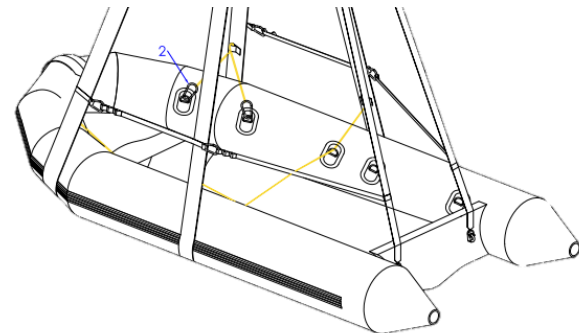
FEATURES :

- Designed for compliance to STANAG 3542 and IATA standards.
- Complies with US-EU civil regulations and NATO military requirements for helicopter sling loads.
- 6 legs maintained in position with intermediate cross-way legs.
- Light (19Kg), flexible and compact system
- Fast to install, using boat lift points and fittings
- Fast to adjust to different sizes of boats
- Fully compatible with Zodiac Milpro™ FC boat range special features and mission capabilities (Underwater cache and Helidrop still feasible).
- Long-lasting and adapted to marine environment



MISSION PROFILE :

- Transport inflatable boats under helicopter with boat in ready-to-operate configuration
- Fast-deploy at sea (or land)
- Fast-recover at sea (system installed on the water)
- Airborne Infiltration and Exfiltration
- Stored onboard during mission (rolled in a waterproof bow bag)



| PART | P/N |
|---------------|------------|
| Helisling | Z66302 |
| 30m Extension | Z66627 |
| Ladder | Z66663 |